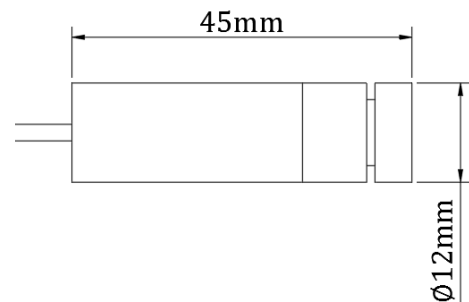
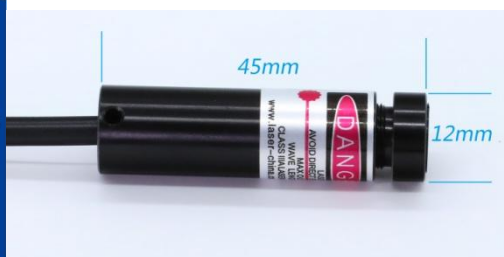




APPLICATION  
EXAMPLE



EXTERIOR  
DRAWING





**PERFORMANCE INDEX**

**Optics**

Wavelength ( nm )	515-520nm	635-650nm
Wavelength Error	±5nm	±5nm
Power(mw)	0.5-10mW	0.1-10mW
Light Type	Line/Cross/DOE	
Beam Angle	5-130°	
Straightness	≤0.1%	
Focus	Manual Focua	
Work Distance	Suitable for use within 2 meters	

**Electrical**

Laser Driven mode	CW/TTL	
Work Voltage(V)	3-5v/12-24v	
Work Current(mA)	<100mA	<35mA
Tail Line	Red Black Line/DC Line/Black Line	
Protection	Anti-reverse, Anti-interference	

**Mechanical**

Dimension(mm)	Φ12×45mm
Material	Black Aviation Aluminum

**Other**

Working Temperature	-10 ~ 50°C ( Conventional )
Storage Temperature	-40 ~ 85°C ( Conventional )
Working Life	≥10000Hours